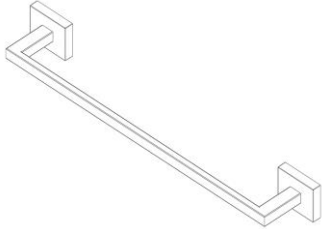
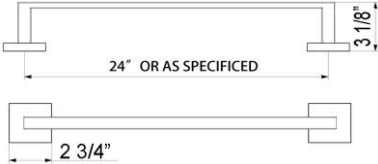
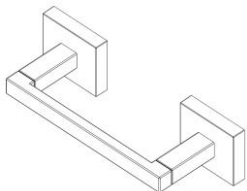
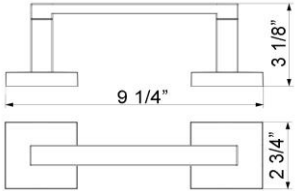
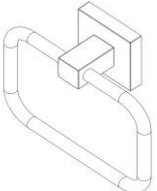
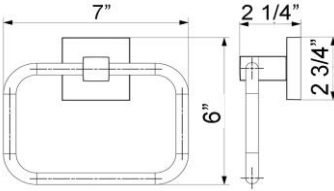
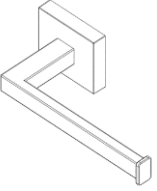
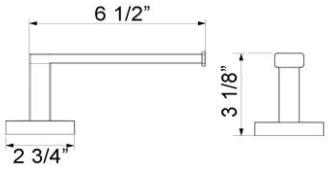
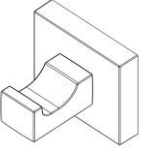
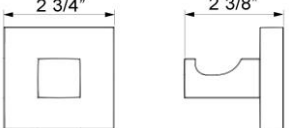


# BETTER HOME PRODUCTS

## FOREST HILL COLLECTION SPECIFICATIONS

### 6300 SERIES MATTE BLACK FINISH

		<p><b>BHP</b> ITEM# 6324BLK 24" TOWEL BAR SET</p> <p><b>Towel Bar</b> – surface mount, concealed screw application, including 2 Pcs steel mounting brackets, 4 Pcs #8 x 1 1/4" mounting screws and 4 Pcs plastic anchors</p> <p><b>Posts</b> – electroplated die cast zinc alloy</p> <p><b>Bar</b> – Stainless steel. Available in 18", 24" &amp; 32" C-C</p>
		<p><b>BHP</b> ITEM# 6309BLK PAPER HOLDER</p> <p><b>Paper Holder</b> - surface mount, concealed screw application, including 2 Pcs steel mounting brackets, 4 Pcs #8 x 1 1/4" mounting screws and 4 Pcs plastic anchors</p> <p><b>Posts</b> - electroplated die cast zinc alloy</p> <p><b>Roller</b> – swing arm. plated metal</p>
		<p><b>BHP</b> ITEM# 6304BLK TOWEL RING</p> <p><b>Towel Ring</b> - surface mount, concealed screw application, including 1 Pc steel mounting bracket, 2 Pcs #8 x 1 1/4" mounting screws and 2 Pcs plastic anchors</p> <p><b>Post</b> - electroplated die cast zinc alloy</p> <p><b>Ring</b> – electroplated aluminum</p>
		<p><b>BHP</b> ITEM# 6307BLK EURO STYLE PAPER HOLDER</p> <p><b>Paper Holder</b> - surface mount, concealed screw application, including 1Pc steel mounting bracket, 2 Pcs #8 x 1 1/4" mounting screws and 2 Pcs plastic anchors</p> <p><b>Post</b> - electroplated die cast zinc alloy</p> <p><b>Arm</b> – electroplated die cast zinc alloy</p>
		<p><b>BHP</b> ITEM# 6301BLK ROBE HOOK</p> <p><b>Robe Hook</b> – surface mount, concealed screw application, including 1 Pc steel mounting bracket, 2 Pcs #8 x 1 1/4" mounting screws and 2 Pcs plastic anchors.</p> <p><b>Base &amp; Hook</b> - electroplated die cast zinc alloy</p>