

# BETTER HOME PRODUCTS

## EDSTPLATE01 SERIES LEVER ESCUTCHEON TRIM

**BHP** Lifetime Mechanical Warranty and 5 Year Finish Warranty



- \* Grade I heavy duty trim lever for exit devices
- \* Stainless steel lever piece and plate cover
- \* 6 Pin solid brass SC "C" keyway cylinder standard
- \* ADA compliant
- \* Full length lever handle
- \* Packed with mounting hardware

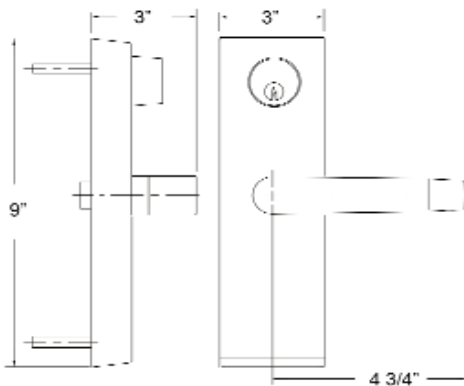


### FEATURES

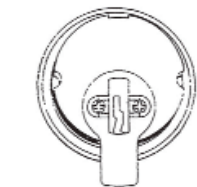
- \* For use with BHP 300, 400 and 500 series fire-rated and non-fire rated rim latch and vertical rod exit devices
- \* Pre set as storeroom function. Key operates lever, otherwise always locked. Can be converted to entry / classroom function.
- \* Fits door thickness 1 3/4" to 2 1/4"
- \* Fits and covers 161 cutout
- \* Reversible door handing, easy to field reverse

### ITEM NUMBERS:

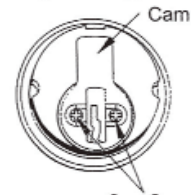
- EDSTPLATE01BLK - Exit device storeroom trim plate - Matte Black Finish
- EDSTPLATE01CH - Exit device storeroom trim plate - Polished Stainless Steel ( Chrome) finish
- EDSTPLATE01SN - Exit device storeroom trim plate - Brushed Stainless Steel ( SN) finish



Storeroom function can be converted to Entry function by inverting the cam on the mortise cylinder



Storeroom Function (Factory Pre Set)



Entry / Classroom Function

### CROSS REFERENCE

BHP	CALROYAL	SARGENT	STANLEY
EDSTPLATE01	ESC2205	706	QET170